

Part #
800-001
800-002
800-003

Part #
800-004
800-005
800-006

This Drawing and the Knowledge and Information contained herein, is the Exclusive Property of McVac Mfg. Co. Inc. It is furnished with the understanding that the information contained is Confidential and Proprietary, and should be treated as such. No unauthorized reproduction of this Document is permitted without the written consent of McVac Mfg. Co. Inc.

Sensor/Feedthrough Welded
Specify L Dimension
In Vac Cable Included
Part# 800-001

McVac
manufacturing, Inc.

Title: Sensor/Feedthrough
All surfaces Break all corners Date: 2-2-97 Scale: Sheet 1 of 1 Dwg: 800-001 Rev 1

1	Preliminary			
Rev	Description	ECN	Date	

This Drawing and the Knowledge and Information contained herein, is the Exclusive Property of McVac Mfg. Co. Inc. It is furnished with the understanding that the information contained is Confidential and Proprietary, and should be treated as such. No unauthorized reproduction of this Document is permitted without the written consent of McVac Mfg. Co. Inc.

Shuttered Sensor/ 2 3/4" CF Feedthrough
Part #800-004
includes cable

McVac
manufacturing, Inc.

Title: Shuttered Sensor/CF
All surfaces Break all corners Date: Sheet 1 of 1 Dwg: 800-004 Rev 1

1	Preliminary			
Rev	Description	ECN	Date	

This Drawing and the Knowledge and Information contained herein, is the Exclusive Property of McVac Mfg. Co. Inc. It is furnished with the understanding that the information contained is Confidential and Proprietary, and should be treated as such. No unauthorized reproduction of this Document is permitted without the written consent of McVac Mfg. Co. Inc.

Sensor/Shutter/Feedthrough Welded
Specify L Dimension
In Vac Cable Included
Part# 800-002

McVac
manufacturing, Inc.

Title: Single Sensor Shutter FT
All surfaces Break all corners Date: 2-11-97 Scale: Sheet 1 of 1 Dwg: 800-002 Rev 1

1	Preliminary		3/2/92	
Rev	Description	ECN	Date	

This Drawing and the Knowledge and Information contained herein, is the Exclusive Property of McVac Mfg. Co. Inc. It is furnished with the understanding that the information contained is Confidential and Proprietary, and should be treated as such. No unauthorized reproduction of this Document is permitted without the written consent of McVac Mfg. Co. Inc.

Dual Sensor/Shutter 1" Bolt Feedthrough
Specify L Dimension
In Vacuum Cables Included
Part# 800-005

McVac
manufacturing, Inc.

Title: Dual Sensor Shutter FT
All surfaces Break all corners Date: 2-10-97 Scale: Sheet 1 of 1 Dwg: 800-005 Rev 1

1	Preliminary		3/2/92	
Rev	Description	ECN	Date	

This Drawing and the Knowledge and Information contained herein, is the Exclusive Property of McVac Mfg. Co. Inc. It is furnished with the understanding that the information contained is Confidential and Proprietary, and should be treated as such. No unauthorized reproduction of this Document is permitted without the written consent of McVac Mfg. Co. Inc.

Sensor/Feedthrough Welded
Specify L Dimension
In Vacuum Cable Included
Part# 800-003

McVac
manufacturing, Inc.

Title: Sensor/Feedthrough
All surfaces Break all corners Date: 2-7-97 Scale: Sheet 1 of 1 Dwg: 800-003 Rev 1

1	Preliminary			
Rev	Description	ECN	Date	

This Drawing and the Knowledge and Information contained herein, is the Exclusive Property of McVac Mfg. Co. Inc. It is furnished with the understanding that the information contained is Confidential and Proprietary, and should be treated as such. No unauthorized reproduction of this Document is permitted without the written consent of McVac Mfg. Co. Inc.

Right Angle Dual Sensor on a 1" Bolt Feedthrough
Specify L Dimension
In Vacuum Cables Included
Part #800-006

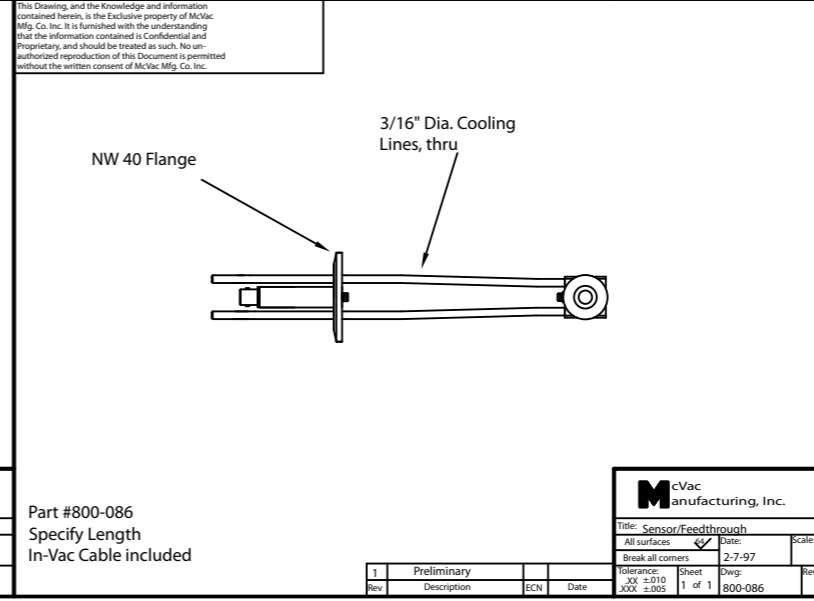
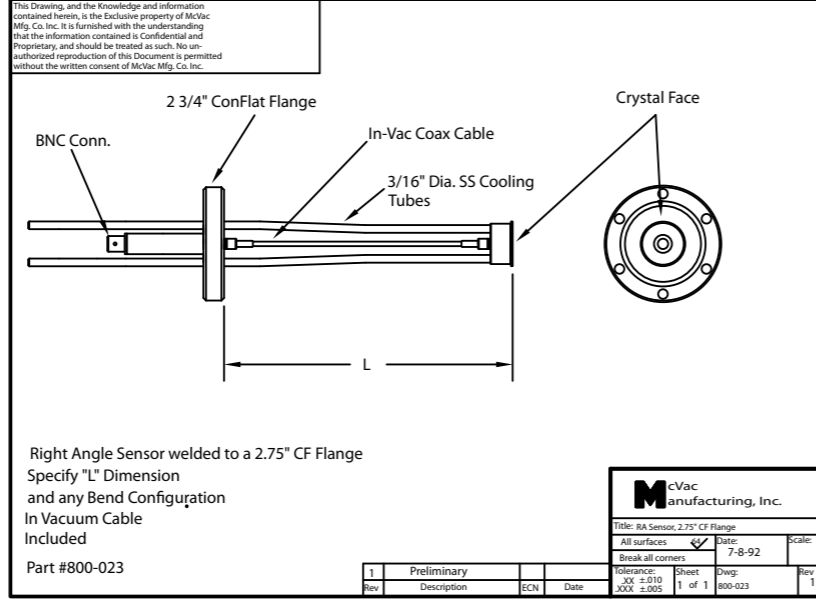
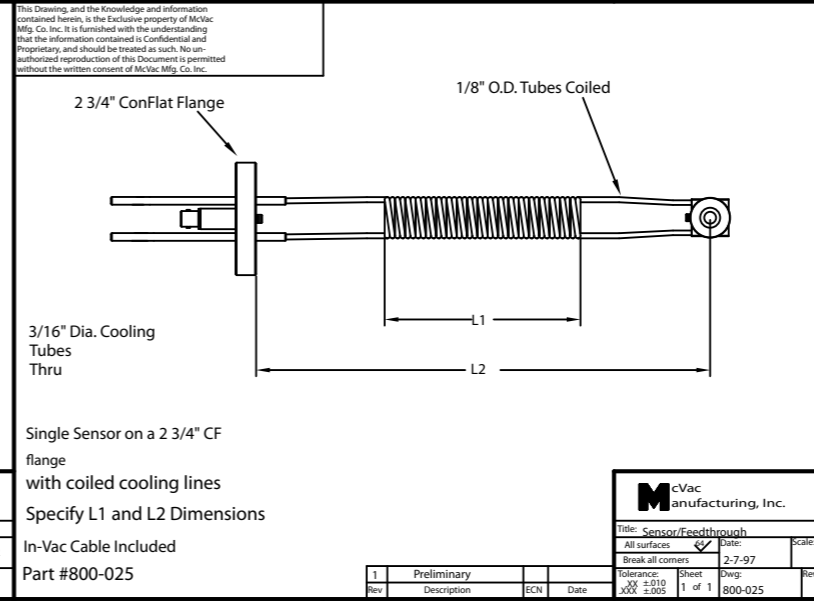
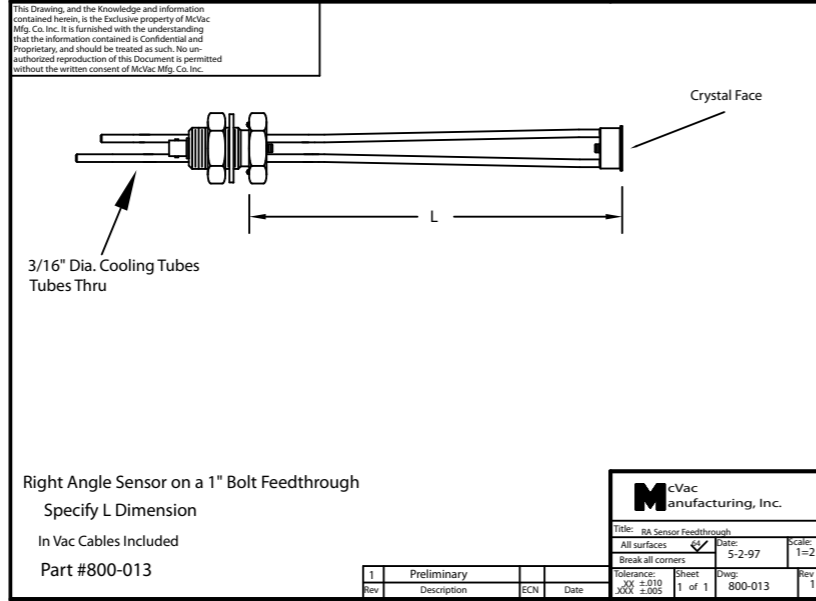
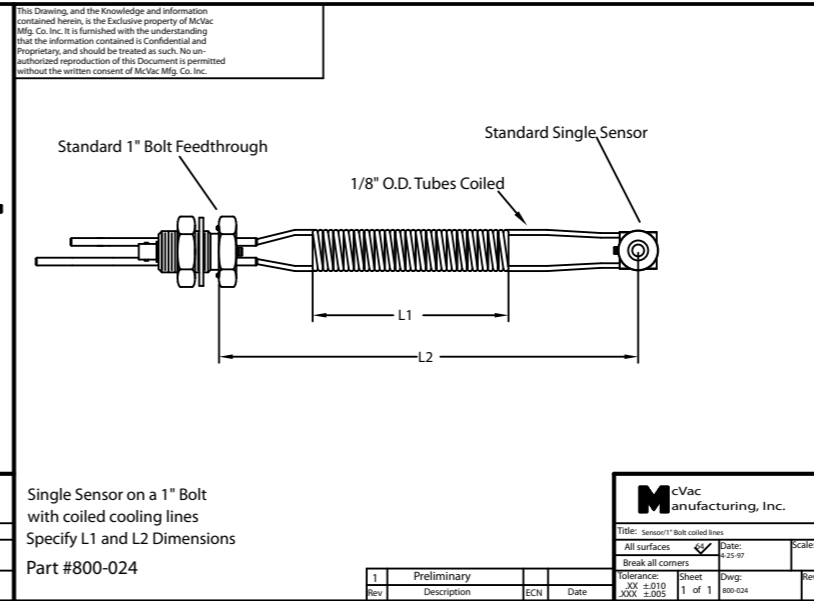
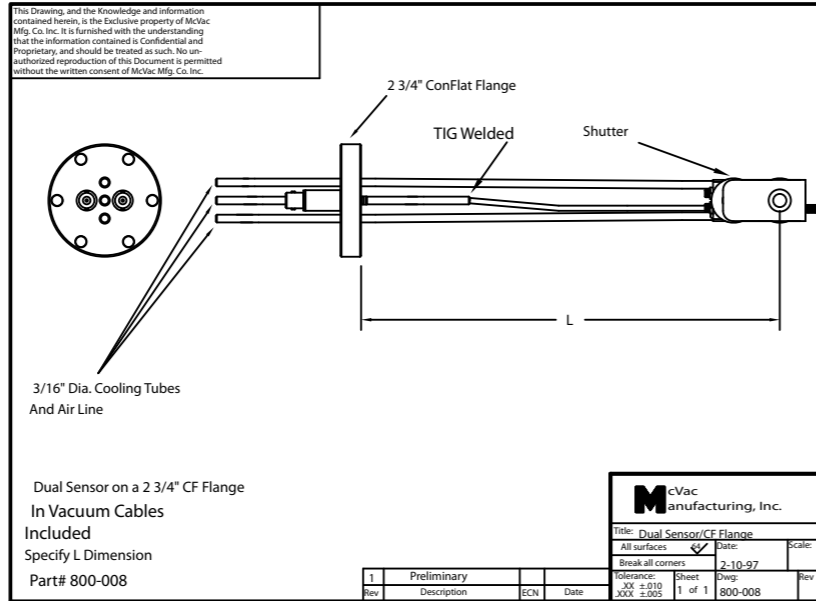
McVac
manufacturing, Inc.

Title: Right Angle Dual Sensor
All surfaces Break all corners Date: 01-11-95 Scale: 1=2 Sheet 1 of 1 Dwg: 800-006 Rev 1

1	Preliminary			
Rev	Description	ECN	Date	

Part #
800-008
800-013
800-023

Part #
800-024
800-025
800-086



Part #
800-087
800-088
800-089

800-090
800-001IVO
800-003IVO

This Drawing, and the Knowledge and information contained herein, is the Exclusive property of McVac Mfg. Co. Inc. It is furnished with the understanding that the information contained is Confidential and Proprietary, and should be treated as such. No unauthorized reproduction of this Document is permitted without the written consent of McVac Mfg. Co. Inc.

In-Vac Cable Included
Specify L Dimension
Part #800-087

1	Preliminary				
Rev	Description	ECN	Date	Sheet	Dwg.

Tolerance: .XX ±.010
.XXX ±.005

McVac manufacturing, Inc.
Title: Sensor/Feedthrough
All surfaces Date: 11-08-04
Break all corners Scale:
1 of 1

This Drawing, and the Knowledge and information contained herein, is the Exclusive property of McVac Mfg. Co. Inc. It is furnished with the understanding that the information contained is Confidential and Proprietary, and should be treated as such. No unauthorized reproduction of this Document is permitted without the written consent of McVac Mfg. Co. Inc.

In-Vacuum Oscillator
Specify "L" Dimension
Price Includes 2 Cables
Part #800-090

1	Preliminary				
Rev	Description	ECN	Date	Sheet	Dwg.

Tolerance: .XX ±.010
.XXX ±.005

McVac manufacturing, Inc.
Title: 1" Bolt In-Vac Oscillator
All surfaces Date: 1-25-97
Break all corners Scale:
1 of 1

This Drawing, and the Knowledge and information contained herein, is the Exclusive property of McVac Mfg. Co. Inc. It is furnished with the understanding that the information contained is Confidential and Proprietary, and should be treated as such. No unauthorized reproduction of this Document is permitted without the written consent of McVac Mfg. Co. Inc.

Part #800-088
Specify Length
In-Vac Cable included

1	Preliminary				
Rev	Description	ECN	Date	Sheet	Dwg.

Tolerance: .XX ±.010
.XXX ±.005

McVac manufacturing, Inc.
Title: Sensor/Feedthrough
All surfaces Date: 11-08-04
Break all corners Scale:
1 of 1

This Drawing, and the Knowledge and information contained herein, is the Exclusive property of McVac Mfg. Co. Inc. It is furnished with the understanding that the information contained is Confidential and Proprietary, and should be treated as such. No unauthorized reproduction of this Document is permitted without the written consent of McVac Mfg. Co. Inc.

Sensor on a 1" Bolt With
In-Vac Oscillator
In-Vac Cables Included
Specify L Dimension
Part #800-001IVO

1	Preliminary				
Rev	Description	ECN	Date	Sheet	Dwg.

Tolerance: .XX ±.010
.XXX ±.005

McVac manufacturing, Inc.
Title: Single Sensor/1" Bolt IVO
All surfaces Date: 1-25-97
Break all corners Scale:
1 of 1

This Drawing, and the Knowledge and information contained herein, is the Exclusive property of McVac Mfg. Co. Inc. It is furnished with the understanding that the information contained is Confidential and Proprietary, and should be treated as such. No unauthorized reproduction of this Document is permitted without the written consent of McVac Mfg. Co. Inc.

In-Vac Cable Included
Specify L Dimension
Part #800-089

1	Preliminary				
Rev	Description	ECN	Date	Sheet	Dwg.

Tolerance: .XX ±.010
.XXX ±.005

McVac manufacturing, Inc.
Title: Sensor/Feedthrough
All surfaces Date: 11-08-04
Break all corners Scale:
1 of 1

This Drawing, and the Knowledge and information contained herein, is the Exclusive property of McVac Mfg. Co. Inc. It is furnished with the understanding that the information contained is Confidential and Proprietary, and should be treated as such. No unauthorized reproduction of this Document is permitted without the written consent of McVac Mfg. Co. Inc.

Part #800-003IVO
Sensor on a 2 3/4" CF With
In-Vac Oscillator
In-Vac Cables Included
Specify L Dimension

1	Preliminary				
Rev	Description	ECN	Date	Sheet	Dwg.

Tolerance: .XX ±.010
.XXX ±.005

McVac manufacturing, Inc.
Title: Single Sensor/1" Bolt IVO
All surfaces Date: 1-25-97
Break all corners Scale:
1 of 1