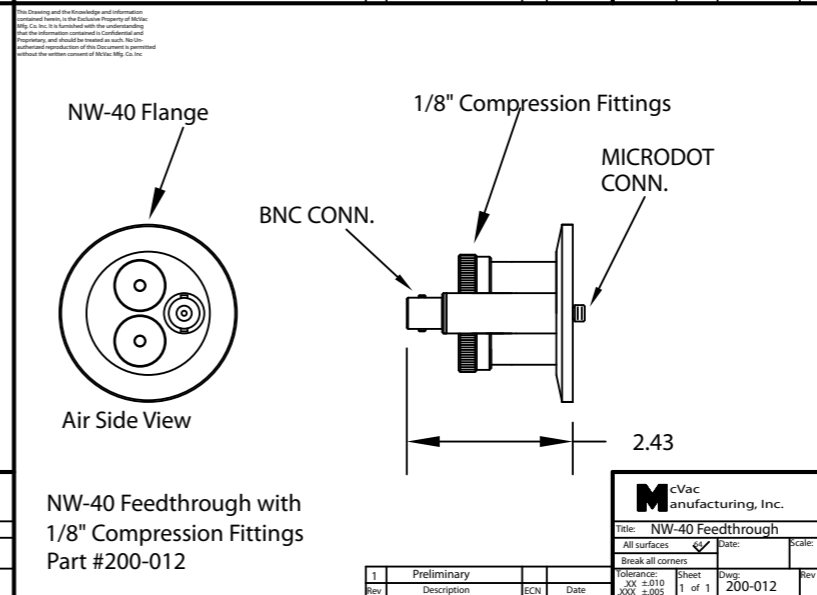
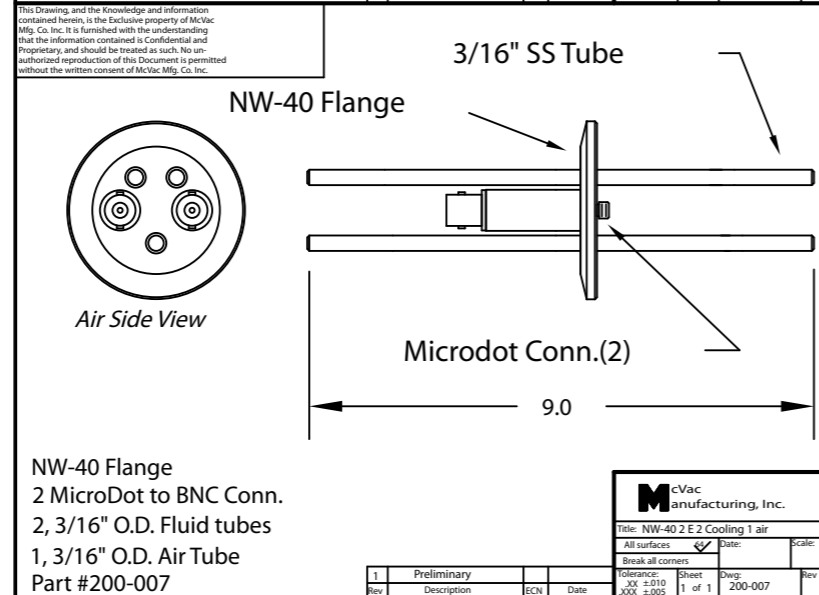
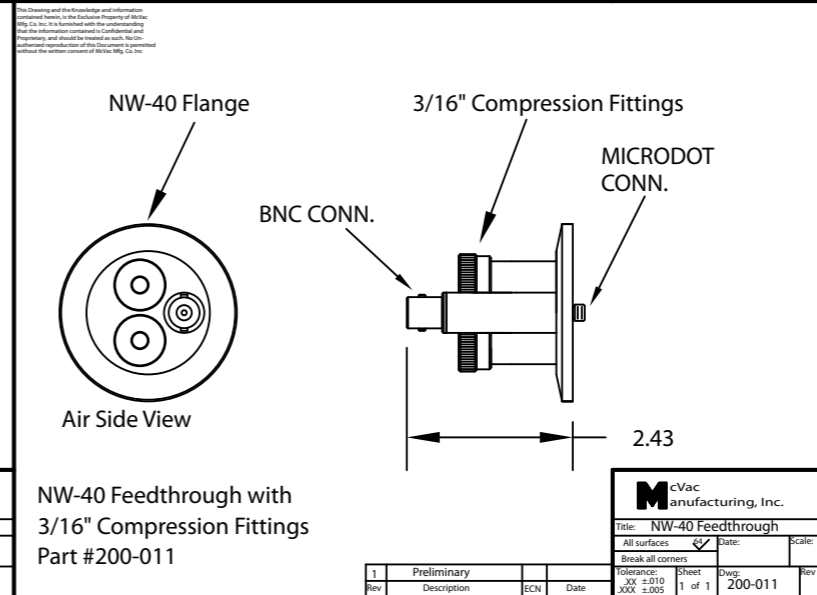
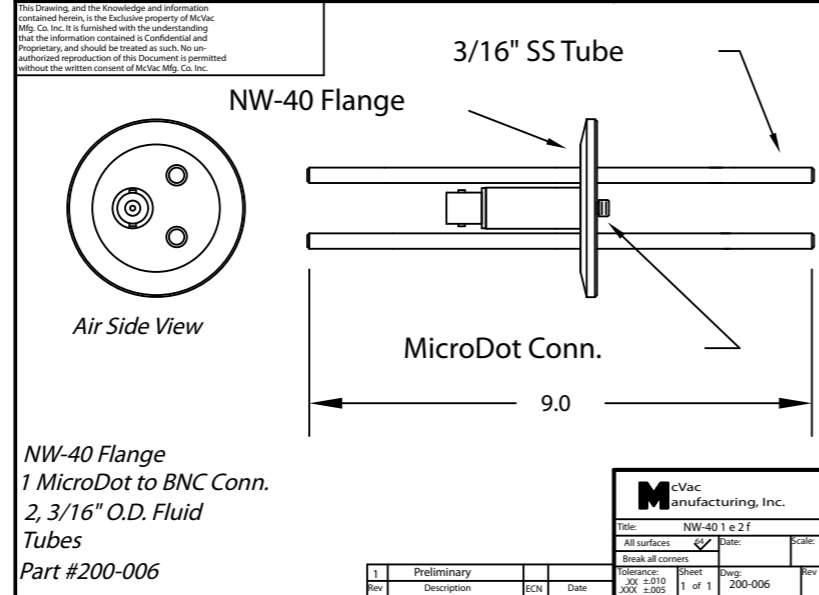
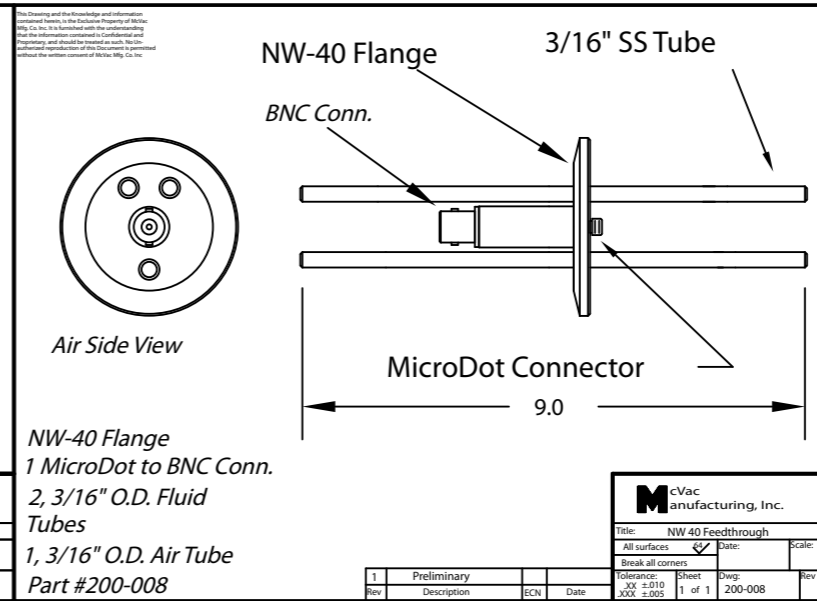
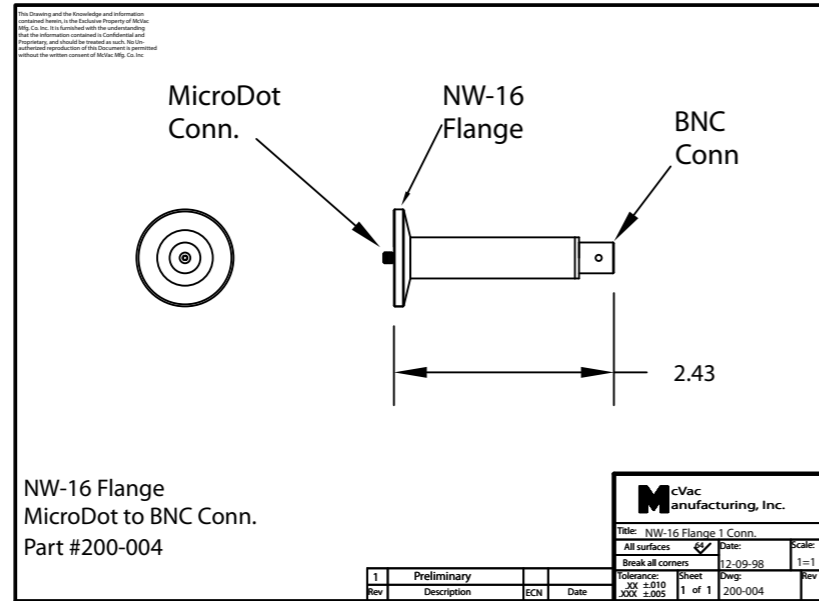


Part #  
200-004  
200-006  
200-007

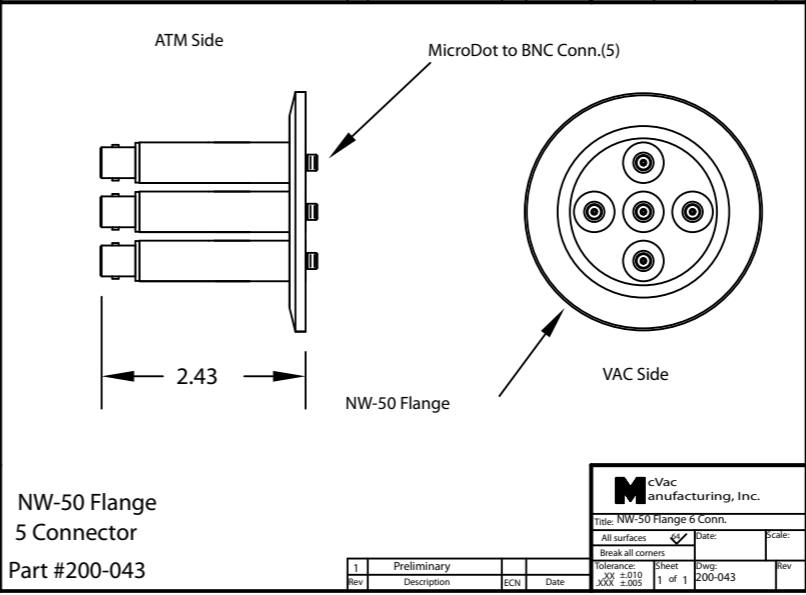
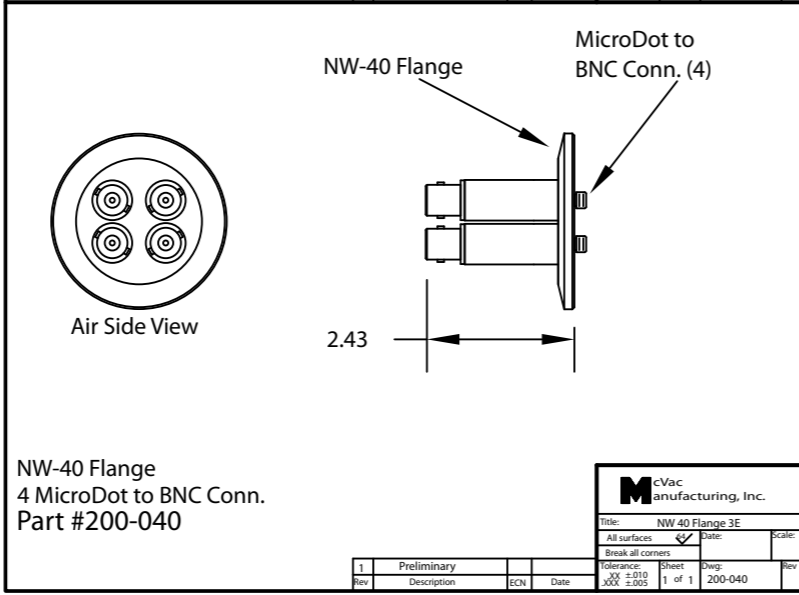
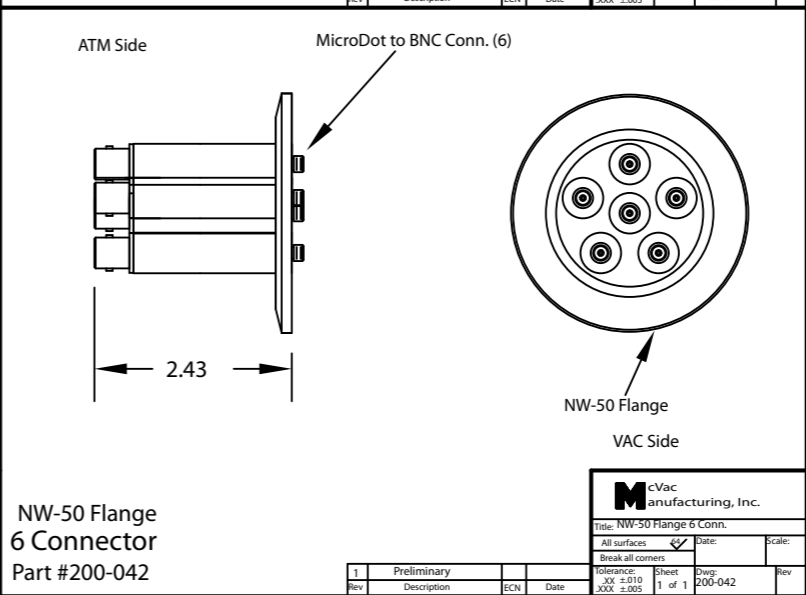
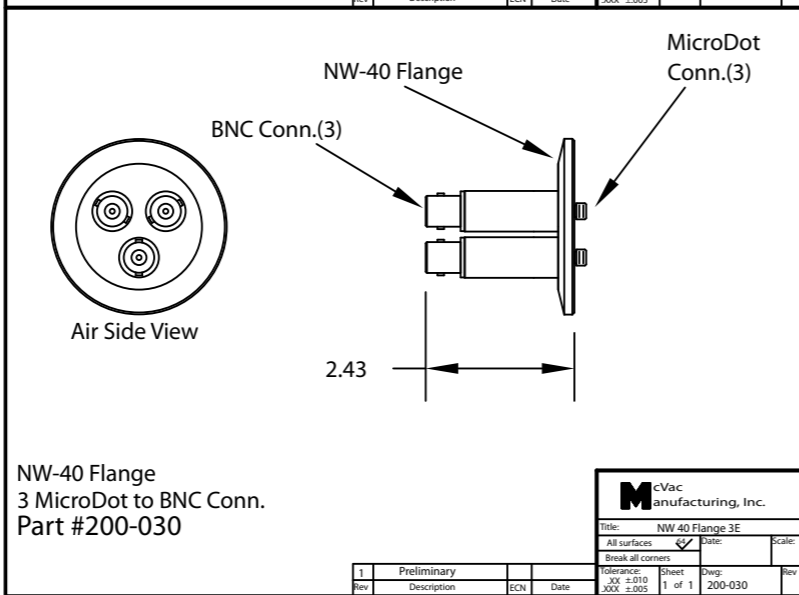
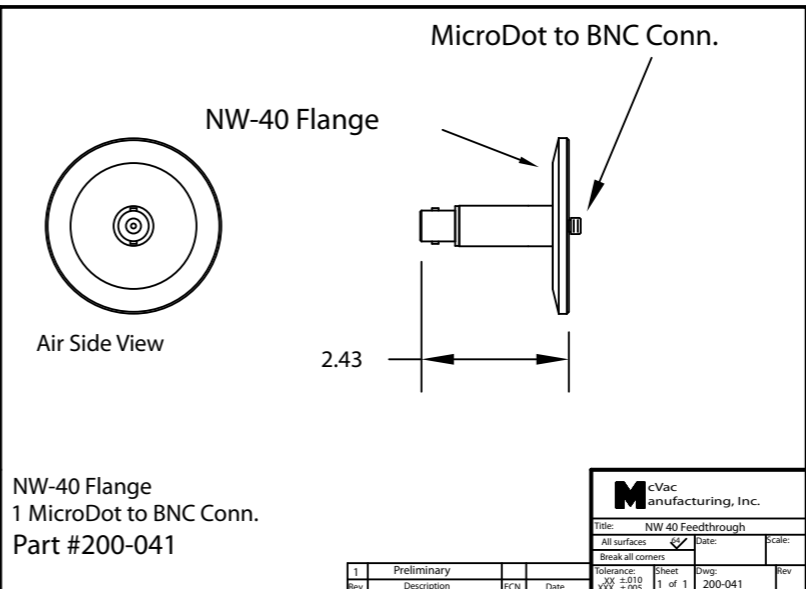
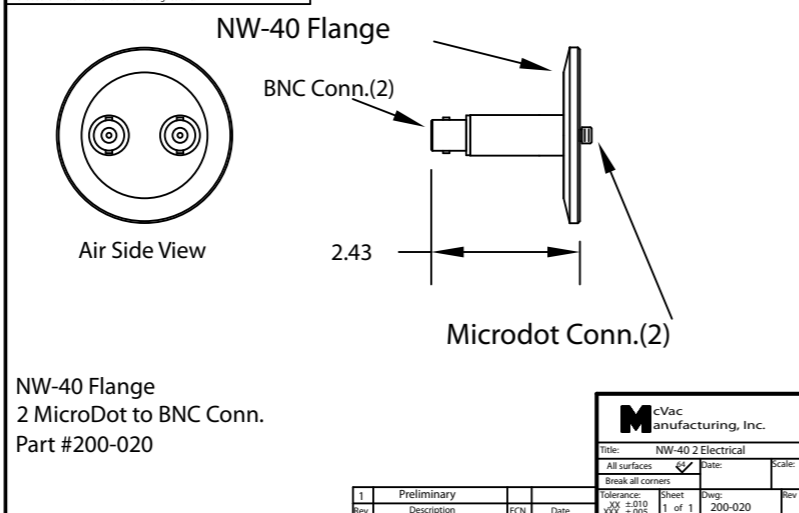
Part #  
200-008  
200-011  
200-012



Part #  
200-020  
200-030  
200-040

Part #  
200-041  
200-042  
200-043

This Drawing, and the Knowledge and Information contained herein, is the Exclusive Property of McVac Mfg. Co. Inc. It is furnished with the understanding that the information contained is Confidential and Proprietary, and should be treated as such. No unauthorized reproduction of this Document is permitted without the written consent of McVac Mfg. Co. Inc.



Part #  
200-044  
200-045  
200-046

Part #  
200-047  
200-048  
200-049

This Drawing and the Knowledge and information contained herein, is the Exclusive Property of McVac Mfg. Co. Inc. It is furnished with the understanding that the information contained is Confidential and Proprietary and should be treated as such. No Un-authorized reproduction of this Document is permitted without the written consent of McVac Mfg. Co. Inc.

NW-40 Flange

1/8" Compression Fittings

Air Side View

1.25

(3)

NW-40 Feedthrough with 1/8" Compression Fittings Part #200-044

**M**cVac manufacturing, Inc.

Title: NW-40 Feedthrough

All surfaces  Break all corners  Date: \_\_\_\_\_ Scale: \_\_\_\_\_

Tolerance: Sheet Dwg: Rev:   
XX ±.010 1 of 1 200-044

1	Preliminary			
Rev	Description	ECN	Date	

This Drawing and the Knowledge and information contained herein, is the Exclusive Property of McVac Mfg. Co. Inc. It is furnished with the understanding that the information contained is Confidential and Proprietary and should be treated as such. No Un-authorized reproduction of this Document is permitted without the written consent of McVac Mfg. Co. Inc.

NW-50 Flange

BNC Conn. MicroDot Conn.

Air Side View

2.43

NW-50 Flange, 3 Connectors Part #200-047

**M**cVac manufacturing, Inc.

Title: NW-50 Flange 2E

All surfaces  Break all corners  Date: \_\_\_\_\_ Scale: \_\_\_\_\_

Tolerance: Sheet Dwg: Rev:   
XX ±.010 1 of 1 200-047

1	Preliminary			
Rev	Description	ECN	Date	

This Drawing and the Knowledge and information contained herein, is the Exclusive Property of McVac Mfg. Co. Inc. It is furnished with the understanding that the information contained is Confidential and Proprietary and should be treated as such. No Un-authorized reproduction of this Document is permitted without the written consent of McVac Mfg. Co. Inc.

NW-40 Flange

1/4" Compression Fitting

BNC CONN. MICRODOT CONN.

Air Side View

2.43

NW-40 Feedthrough with 1/4" Compression Fittings Part #200-045

**M**cVac manufacturing, Inc.

Title: NW-40 Feedthrough

All surfaces  Break all corners  Date: \_\_\_\_\_ Scale: \_\_\_\_\_

Tolerance: Sheet Dwg: Rev:   
XX ±.010 1 of 1 200-045

1	Preliminary			
Rev	Description	ECN	Date	

This Drawing and the Knowledge and information contained herein, is the Exclusive Property of McVac Mfg. Co. Inc. It is furnished with the understanding that the information contained is Confidential and Proprietary and should be treated as such. No Un-authorized reproduction of this Document is permitted without the written consent of McVac Mfg. Co. Inc.

NW-50 Flange

BNC Conn. MicroDot Conn.

Air Side View

2.43

NW-50 Flange With 4 Connectors Part #200-048

**M**cVac manufacturing, Inc.

Title: NW-50 Flange 2E

All surfaces  Break all corners  Date: \_\_\_\_\_ Scale: \_\_\_\_\_

Tolerance: Sheet Dwg: Rev:   
XX ±.010 1 of 1 200-048

1	Preliminary			
Rev	Description	ECN	Date	

This Drawing and the Knowledge and information contained herein, is the Exclusive Property of McVac Mfg. Co. Inc. It is furnished with the understanding that the information contained is Confidential and Proprietary and should be treated as such. No Un-authorized reproduction of this Document is permitted without the written consent of McVac Mfg. Co. Inc.

NW-50 Flange

BNC Conn. MicroDot Conn.

Air Side View

.25

2.43

NW-50 Flange with 2 Connectors Part #200-046

**M**cVac manufacturing, Inc.

Title: NW-50 Flange 2E

All surfaces  Break all corners  Date: \_\_\_\_\_ Scale: \_\_\_\_\_

Tolerance: Sheet Dwg: Rev:   
XX ±.010 1 of 1 200-046

1	Preliminary			
Rev	Description	ECN	Date	

This Drawing and the Knowledge and information contained herein, is the Exclusive Property of McVac Mfg. Co. Inc. It is furnished with the understanding that the information contained is Confidential and Proprietary and should be treated as such. No Un-authorized reproduction of this Document is permitted without the written consent of McVac Mfg. Co. Inc.

NW-25 Flange

3/16" SS Tube

Air Side View

MicroDot Conn.

9.00

NW-25 Flange 1 MicroDot to BNC Conn. 2, 3/16" O.D. Fluid Tubes Part #200-049

**M**cVac manufacturing, Inc.

Title: NW-25 1 e 2 f

All surfaces  Break all corners  Date: \_\_\_\_\_ Scale: \_\_\_\_\_

Tolerance: Sheet Dwg: Rev:   
XX ±.010 1 of 1 200-049

1	Preliminary			
Rev	Description	ECN	Date	

Part #  
200-050  
200-051  
200-052

Part #  
200-053  
200-054  
200-055

This Drawing, and the Knowledge and Information contained herein, is the Exclusive Property of McVac Mfg. Co. Inc. It is furnished with the understanding that the information contained is Confidential and Proprietary, and should be treated as such. No unauthorized reproduction of this Document is permitted without the written consent of McVac Mfg. Co. Inc.

NW-50 Flange  
Air Side View  
BNC Conn. MicroDot Conn.  
2.43

NW-50 Flange, 1 Connector  
Part #200-050

1	Preliminary			
Rev	Description	ECN	Date	

**M**cVac manufacturing, Inc.  
Title: NW-50 1 e  
All surfaces  Date: Scale:  
Break all corners   
Tolerance: .XX ±.010 Sheet 1 of 1 Dwg: 200-050  
XXX ±.005

This Drawing, and the Knowledge and Information contained herein, is the Exclusive Property of McVac Mfg. Co. Inc. It is furnished with the understanding that the information contained is Confidential and Proprietary, and should be treated as such. No unauthorized reproduction of this Document is permitted without the written consent of McVac Mfg. Co. Inc.

NW-25 Flange  
Air Side View  
3/16" Compression Fitting  
1.25

NW-25 Flange  
3/16" Compression Fitting  
Part #200-053

1	Preliminary			
Rev	Description	ECN	Date	

**M**cVac manufacturing, Inc.  
Title: NW-25 3/16" Comp  
All surfaces  Date: Scale:  
Break all corners   
Tolerance: .XX ±.010 Sheet 1 of 1 Dwg: 200-053  
XXX ±.005

This Drawing, and the Knowledge and Information contained herein, is the Exclusive Property of McVac Mfg. Co. Inc. It is furnished with the understanding that the information contained is Confidential and Proprietary, and should be treated as such. No unauthorized reproduction of this Document is permitted without the written consent of McVac Mfg. Co. Inc.

NW-25 Flange  
Air Side View  
MicroDot to BNC Conn.  
2.43

NW-25 Flange  
1 MicroDot to BNC Conn.  
Part #200-051

1	Preliminary			
Rev	Description	ECN	Date	

**M**cVac manufacturing, Inc.  
Title: NW-25 1e  
All surfaces  Date: Scale:  
Break all corners   
Tolerance: .XX ±.010 Sheet 1 of 1 Dwg: 200-051  
XXX ±.005

This Drawing, and the Knowledge and Information contained herein, is the Exclusive Property of McVac Mfg. Co. Inc. It is furnished with the understanding that the information contained is Confidential and Proprietary, and should be treated as such. No unauthorized reproduction of this Document is permitted without the written consent of McVac Mfg. Co. Inc.

NW-25 Flange  
Air Side View  
1/4" Compression Fitting  
1.25

NW-25 Flange  
1/4" Compression Fitting  
Part #200-054

1	Preliminary			
Rev	Description	ECN	Date	

**M**cVac manufacturing, Inc.  
Title: NW-25 1/4" Comp  
All surfaces  Date: Scale:  
Break all corners   
Tolerance: .XX ±.010 Sheet 1 of 1 Dwg: 200-054  
XXX ±.005

This Drawing, and the Knowledge and Information contained herein, is the Exclusive Property of McVac Mfg. Co. Inc. It is furnished with the understanding that the information contained is Confidential and Proprietary, and should be treated as such. No unauthorized reproduction of this Document is permitted without the written consent of McVac Mfg. Co. Inc.

NW-25 Flange  
Air Side View  
1/8" Compression Fitting  
1.25

NW-25 Flange  
1/8" Compression Fitting  
Part #200-052

1	Preliminary			
Rev	Description	ECN	Date	

**M**cVac manufacturing, Inc.  
Title: NW-25 1/8" Comp.  
All surfaces  Date: Scale:  
Break all corners   
Tolerance: .XX ±.010 Sheet 1 of 1 Dwg: 200-052  
XXX ±.005

This Drawing, and the Knowledge and Information contained herein, is the Exclusive Property of McVac Mfg. Co. Inc. It is furnished with the understanding that the information contained is Confidential and Proprietary, and should be treated as such. No unauthorized reproduction of this Document is permitted without the written consent of McVac Mfg. Co. Inc.

NW-25 Flange  
Air Side View  
MicroDot to BNC Conn.  
1.25

NW-25 Flange  
2 MicroDot to BNC Conn.  
Part #200-055

1	Preliminary			
Rev	Description	ECN	Date	

**M**cVac manufacturing, Inc.  
Title: NW-25 2 e  
All surfaces  Date: Scale:  
Break all corners   
Tolerance: .XX ±.010 Sheet 1 of 1 Dwg: 200-055  
XXX ±.005