

ISO FLANGES and FITTINGS

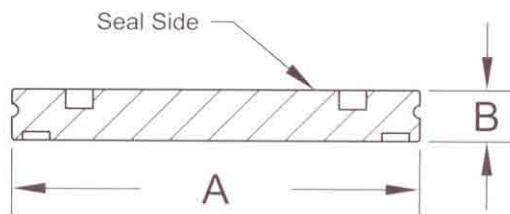


MCVAC MANUFACTURING CO. INC. PHONE: (315) 432-9257

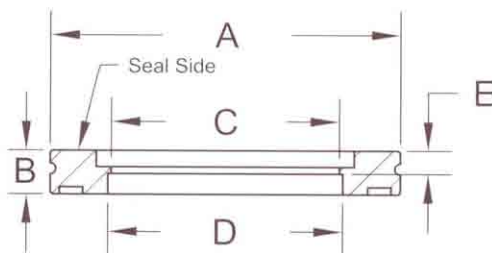
ISO OPTIONAL FASTENER FLANGES

Part No.	Figure	ID	A INCHES	B INCHES	C INCHES	D INCHES	E INCHES
ISO-63-000-OF	1	-	3.740	0.47	-	-	-
ISO-63-250-OF	2	2½	3.740	0.47	2.438	2.510	0.250
ISO-80-000-OF	1	-	4.331	0.47	-	-	-
ISO-80-300-OF	2	3	4.331	0.47	2.938	3.010	0.250
ISO-100-000-OF	1	-	5.118	0.47	-	-	-
ISO-100-400-OF	2	4	5.118	0.47	3.910	4.010	0.250
ISO-160-000-OF	1	-	7.087	0.47	-	-	-
ISO-160-600-OF	2	6	7.087	0.47	5.875	6.020	0.375
ISO-200-000-OF	1	-	9.449	0.47	-	-	-
ISO-200-800-OF	2	8	9.449	0.47	7.875	8.020	0.375
ISO-250-000-OF	1	-	11.417	0.47	-	-	-
ISO-250-1000-OF	2	10	11.417	0.47	9.875	10.020	0.375
ISO-320-000-OF	1	-	14.567	0.67	-	-	-
ISO-320-1200-OF	2	12	14.567	0.67	11.875	12.020	0.375
ISO-320-1275-OF	2	12	14.567	0.67	12.420	12.770	0.375
ISO-400-000-OF	1	-	17.716	0.67	-	-	-
ISO-400-1600-OF	2	16	17.716	0.67	15.624	16.020	0.375
ISO-500-000-OF	1	-	21.653	0.67	-	-	-
ISO-500-2000-OF	2	20	21.653	0.67	19.624	20.020	0.375

ISO Optional Fastener Flange - Figure 1



ISO Optional Fastener Flange - Figure 2

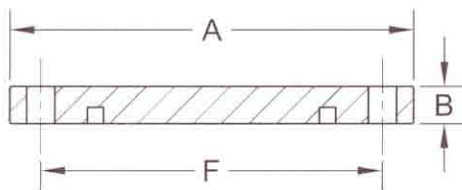


ISO Flanges/Fittings

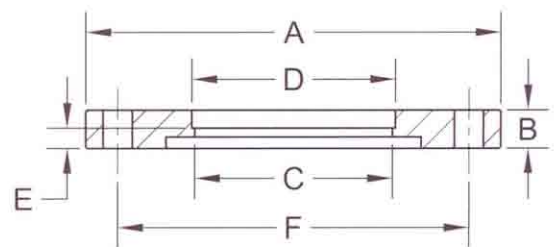
ISO NON-ROTATABLE FLANGES

Part No.	Figure	ID	A INCHES	B INCHES	C INCHES	D INCHES	E INCHES	F INCHES	Bolt Holes	Bolt Diameter
ISO-63-000-N	1	-	5.118	0.472	-	-	-	4.331	4	0.359
ISO-63-250-N	2	2½	5.118	0.472	2.438	2.510	0.250	4.331	4	0.359
ISO-80-000-N	1	-	5.709	0.472	-	-	-	4.921	8	0.359
ISO-80-300-N	2	3½	5.709	0.472	2.938	3.010	0.250	4.921	8	0.359
ISO-100-000-N	1	-	6.496	0.472	-	-	-	5.709	8	0.359
ISO-100-400-N	2	4	6.496	0.472	3.910	4.010	0.250	5.709	8	0.359
ISO-160-000-N	1	-	8.858	0.630	-	-	-	7.874	8	0.438
ISO-160-600-N	2	6	8.858	0.630	5.875	6.020	0.375	7.874	8	0.438
ISO-200-000-N	1	-	11.220	0.630	-	-	-	10.236	12	0.438
ISO-200-800-N	2	8	11.220	0.630	7.875	8.020	0.375	10.236	12	0.438
ISO-250-000-N	1	-	13.189	0.630	-	-	-	12.205	12	0.438
ISO-250-1000-N	2	10	13.189	0.630	9.875	10.020	0.375	12.205	12	0.438
ISO-320-000-N	1	-	16.732	0.787	-	-	-	15.551	12	0.551
ISO-320-1200-N	2	12	16.732	0.787	11.760	12.020	0.375	15.551	12	0.551
ISO-320-1275-N	2	12	16.732	0.787	12.420	12.770	0.375	15.551	12	0.551
ISO-400-000-N	1	-	20.079	0.787	-	-	-	18.898	16	0.551
ISO-400-1600-N	2	16	20.079	0.787	15.642	16.020	0.375	18.898	16	0.551
ISO-500-000-N	1	-	24.016	0.787	-	-	-	22.835	16	0.551
ISO-500-2000-N	2	20	24.016	0.787	19.642	20.020	0.375	22.835	16	0.551

ISO Non-Rotatable Flange - Figure 1



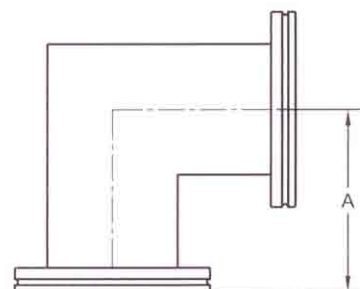
ISO Non-Rotatable Flange - Figure 2



ISO 90° MITERED ELBOWS

Part No.	TUBE OD (IN.)	A INCHES
ISO-63-OF-ML90	2½	3.25
ISO-80-OF-ML90	3	3.50
ISO-100-OF-ML90	4	4.13
ISO-160-OF-ML90	6	5.38
ISO-200-OF-ML90	8	7.38
ISO-250-OF-ML90	10	9.88

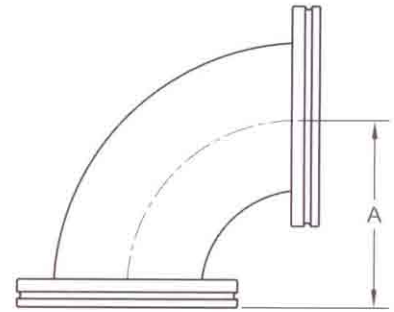
ISO 90° Mitered Elbow



ISO 90° RADIUS ELBOWS

Part No.	TUBE OD (IN.)	A INCHES	B INCHES
ISO-63-OF-RL90	2½	4.00	3.75
ISO-80-OF-RL90	3	4.75	4.50
ISO-100-OF-RL90	4	6.25	6.00
ISO-160-OF-RL90	6	9.38	9.00
ISO-200-OF-RL90	8	12.38	12.00
ISO-250-OF-RL90	10	15.38	15.00

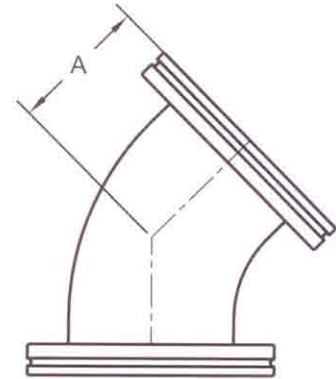
ISO 90° Radius Elbow



ISO 45° RADIUS ELBOWS with TANGENTS

Part No.	TUBE OD (IN.)	A INCHES
ISO-63-OF-RL45T	2½	3.25
ISO-80-OF-RL45T	3	3.93
ISO-100-OF-RL45T	4	5.03

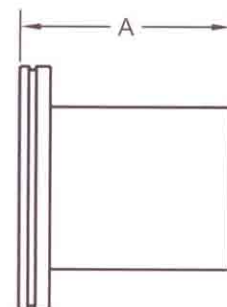
ISO 45° Radius Elbow With Tangents



ISO HALF NIPPLES

Part No.	TUBE OD (IN.)	A INCHES
ISO-63-OF-HN	2½	3.25
ISO-63-OF-HNL	2½	3.94
ISO-63-OF-HNXL	2½	4.00
ISO-80-OF-HN	3	3.50
ISO-80-OF-HNL	3	3.94
ISO-100-OF-HN	4	3.94
ISO-100-OF-HNL	4	4.13
ISO-100-OF-HNXL	4	5.12
ISO-160-OF-HN	6	3.94
ISO-160-OF-HNL	6	5.38
ISO-160-OF-HNXL	6	6.44
ISO-200-OF-HN	8	7.38
ISO-250-OF-HN	10	9.88
ISO-320-OF-HN	12	9.88
ISO-400-OF-HN	16	9.88
ISO-500-OF-HN	20	9.88

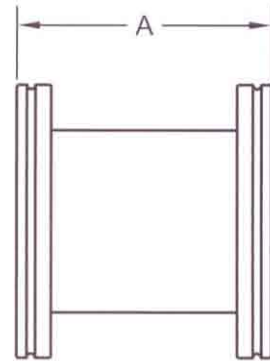
ISO Half Nipple



ISO FULL NIPPLES

Part No.	TUBE OD (IN.)	A INCHES
ISO-63-OF-FN	2½	6.50
ISO-80-OF-FN	3	7.00
ISO-100-OF-FN	4	8.26
ISO-160-OF-FN	6	10.76
ISO-200-OF-FN	8	14.76
ISO-250-OF-FN	10	19.76
ISO-320-OF-FN	12	19.76
ISO-400-OF-FN	16	19.76
ISO-500-OF-FN	20	19.76

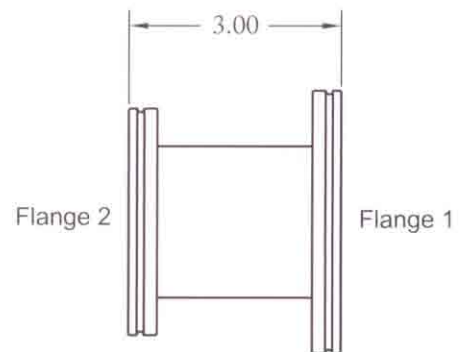
ISO Full Nipple



ISO REDUCER NIPPLES

Part No.	Flange 1	Flange 2	TUBE OD (IN.)
ISO-80-63-OF-RN	ISO-80	ISO-63	2½
ISO-100-63-OF-RN	ISO-100	ISO-63	2½
ISO-100-80-OF-RN	ISO-100	ISO-80	3
ISO-160-63-OF-RN	ISO-160	ISO-63	2½
ISO-160-80-OF-RN	ISO-160	ISO-80	3
ISO-160-100-OF-RN	ISO-160	ISO-100	4
ISO-200-63-OF-RN	ISO-200	ISO-63	2½
ISO-200-80-OF-RN	ISO-200	ISO-80	3
ISO-200-100-OF-RN	ISO-200	ISO-100	4
ISO-200-160-OF-RN	ISO-200	ISO-160	6
ISO-250-63-OF-RN	ISO-250	ISO-63	2½
ISO-250-80-OF-RN	ISO-250	ISO-80	3
ISO-250-100-OF-RN	ISO-250	ISO-100	4
ISO-250-160-OF-RN	ISO-250	ISO-160	6
ISO-250-200-OF-RN	ISO-250	ISO-200	8

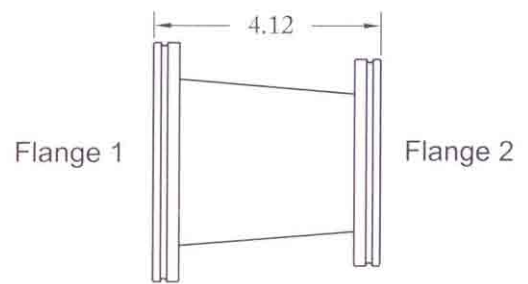
ISO Reducer Nipple



ISO CONICAL REDUCER NIPPLES

Part No.	Flange 1		Flange 2	
	Size	Tube OD	Size	Tube OD
ISO-80-63-OF-CR	ISO-80	3	ISO-63	2½
ISO-100-63-OF-CR	ISO-100	4	ISO-63	2½
ISO-100-80-OF-CR	ISO-100	4	ISO-80	3

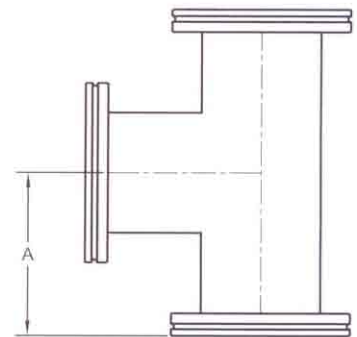
ISO Conical Reducer



ISO TEES

Part No.	TUBE OD (IN.)	A INCHES
ISO-63-OF-T	2½	3.25
ISO-80-OF-T	3	3.50
ISO-100-OF-T	4	4.13
ISO-160-OF-T	6	5.38
ISO-200-OF-T	8	7.38
ISO-250-OF-T	10	9.88

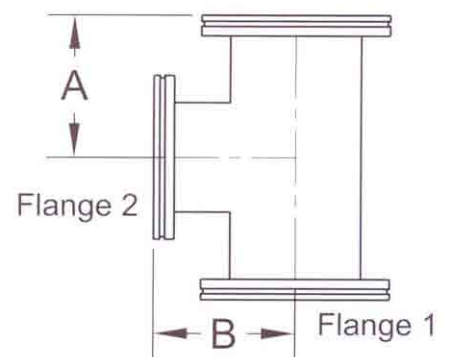
ISO Tee



ISO REDUCER TEES

Part No.	Flange 1		Flange 2		A INCHES	B INCHES
	Size	Tube OD	Size	Tube OD		
ISO-80-63-OF-RTE	ISO-80	3	ISO-63	2½	3.50	3.50
ISO-100-63-OF-RTE	ISO-100	4	ISO-63	2½	4.13	4.00
ISO-100-80-OF-RTE	ISO-100	4	ISO-80	3	4.13	4.00
ISO-160-63-OF-RTE	ISO-160	6	ISO-63	2½	5.38	5.00
ISO-160-80-OF-RTE	ISO-160	6	ISO-80	3	5.38	5.00
ISO-160-100-OF-RTE	ISO-160	6	ISO-100	4	5.38	5.13
ISO-200-63-OF-RTE	ISO-200	8	ISO-63	2½	7.38	6.00
ISO-200-80-OF-RTE	ISO-200	8	ISO-80	3	7.38	6.00
ISO-200-100-OF-RTE	ISO-200	8	ISO-100	4	7.38	6.13
ISO-200-160-OF-RTE	ISO-200	8	ISO-160	6	7.38	6.38

ISO Reducer Tee

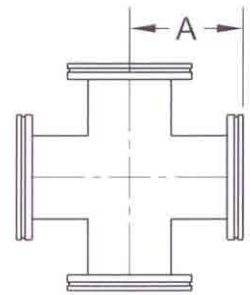


ISO Fittings

ISO 4-WAY CROSSES

Part No.	TUBE OD (IN.)	A INCHES
ISO-63-OF-X4	2½	3.25
ISO-80-OF-X4	3	3.50
ISO-100-OF-X4	4	4.13
ISO-160-OF-X4	6	5.38
ISO-200-OF-X4	8	7.38
ISO-250-OF-X4	10	9.88

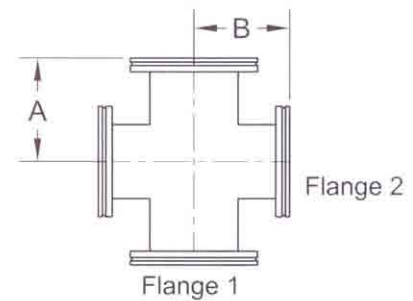
ISO 4-Way Cross



ISO 4-WAY REDUCER CROSSES

Part No.	Flange 1		Flange 2		A INCHES	B INCHES
	Size	Tube OD	Size	Tube OD		
ISO-80-63-OF-RDX	ISO-80	3	ISO-63	2½	3.50	3.50
ISO-100-63-OF-RDX	ISO-100	4	ISO-63	2½	4.13	4.00
ISO-100-80-OF-RDX	ISO-100	4	ISO-80	3	4.13	4.00
ISO-160-63-OF-RDX	ISO-160	6	ISO-63	2½	5.38	5.00
ISO-160-80-OF-RDX	ISO-160	6	ISO-80	3	5.38	5.00
ISO-160-100-OF-RDX	ISO-160	6	ISO-100	4	5.38	5.13
ISO-200-160-OF-RDX	ISO-200	8	ISO-160	6	7.38	6.38

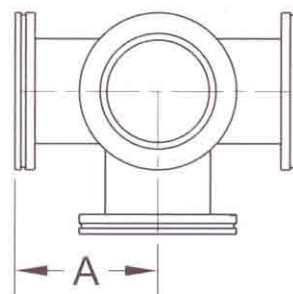
ISO Reducer Cross



ISO 5-WAY CROSSES

Part No.	TUBE OD (IN.)	A INCHES
ISO-63-OF-X5	2½	3.25
ISO-80-OF-X5	3	3.50
ISO-100-OF-X5	4	4.13
ISO-160-OF-X5	6	5.38
ISO-200-OF-X5	8	7.38
ISO-250-OF-X5	10	9.88

ISO 5-Way Cross



ISO 6-WAY CROSSES

Part No.	TUBE OD (IN.)	A INCHES
ISO-63-OF-X6	2½	3.25
ISO-80-OF-X6	3	3.50
ISO-100-OF-X6	4	4.13
ISO-160-OF-X6	6	5.38
ISO-200-OF-X6	8	7.38
ISO-250-OF-X6	10	9.88

ISO 6-Way Cross

